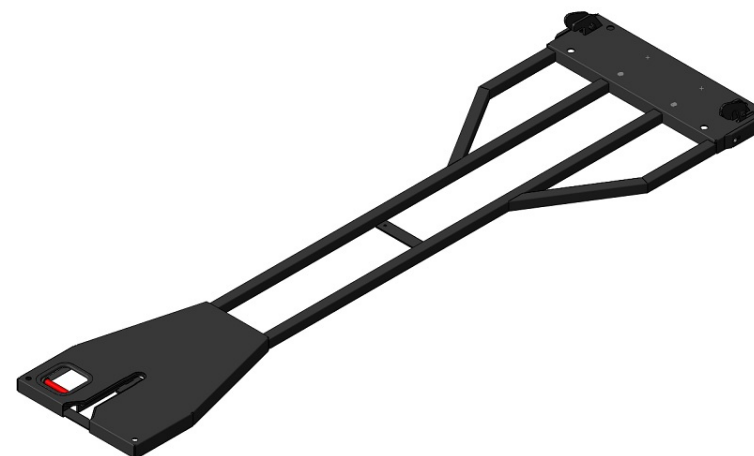


Rua de S. Caetano, 551 Apartado 526
4411-701 Canelas; Vila Nova de Gaia, Portugal
Phone: +351 227157100 Fax: +351 2271244
comercial@arequipment.com
www.arequipment.com





**Instruction Manual:
E300**

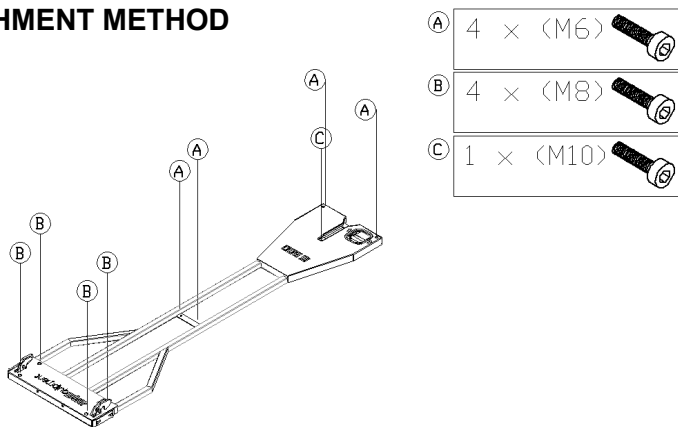
E300 – BOARD

The E300 board is a manually activated equipment, developed to be applied in vans. Its main goal is to fix the respective carts for stretchers or monoblocks to the various existent equipments in the market, made by other brands. This product is developed and produced by Auto Ribeiro, Lda.

OPERATING MODE / USE

	<p><u>Locking system / LOADING</u></p> <p>1º - Move the cart over the board in the direction the picture shows until it clashes in the locking system, staying automatically locked.</p>
	<p><u>Locking system / UNLOADING</u></p> <p>1º - Engage the red control to make the frontal hooks open.</p>
	<p>2º - Pull the cart out with the other hand.</p>

ATTACHMENT METHOD



FEATURES

- Approximate weight: 11 kg
- Maximum load allowed: 300kg
- Approximate dimensions: 1781 x 513 x 76 mm



SAFETY WARNINGS

This equipment can be dangerous:

- Entrapment danger.
- The equipment has a spring locking system.
- Verify if the latch is well locked when the cart is placed.

WARNING: USE BY QUALIFIED PERSONNEL ONLY

Danger of falling in the same level – Be especially cautious when moving near the equipment given the danger of falling inside the vehicle.

Danger of falling in unevenness – Be especially cautious when moving near the equipment given the danger of falling from inside the vehicle to the outside.

Danger of clash / collision – Perform regular maintenance actions to reduce the risk of clash or collision coming from parts with high wear or gaps.

Danger of overload or excessive effort for the worker – Perform regular maintenance actions to reduce the risk of clash or collision coming from parts with high wear or gaps.

Danger of contamination by virus – Perform regular cleaning actions to reduce the risk of contamination (see cleaning and disinfection items).

MAINTENANCE

- Execute visual inspection every fifty cycles of use.
- Lubrication of the mechanical operating elements biannually with lubricant of high viscosity.
- Verify the grip of the connecting elements quarterly. Proceed with adjustment if necessary.
- Verify quarterly the latch tuning. Proceed with adjustment if necessary.

CLEANING AND DISINFECTION

- Execute cleaning and disinfection daily.
- Use a disinfectant that acts against bacteria, fungi and virus.
- Do not use chemical products that are corrosive and abrasive.