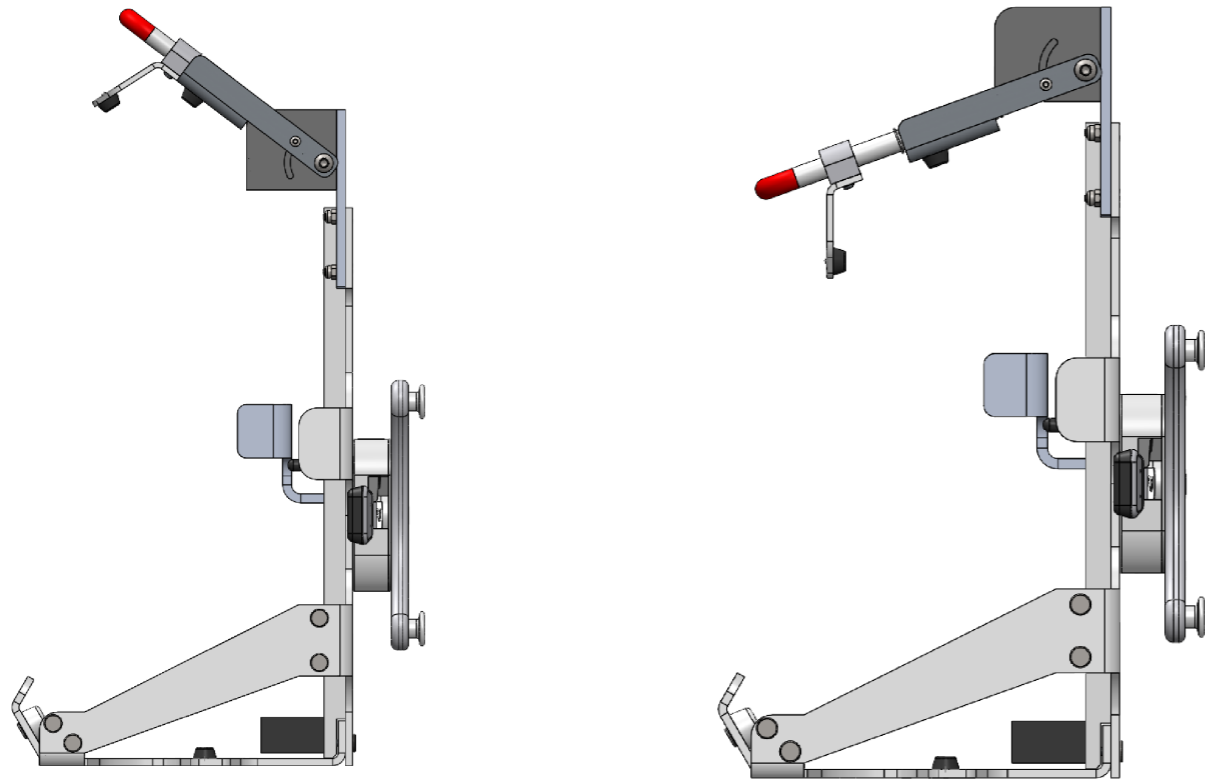
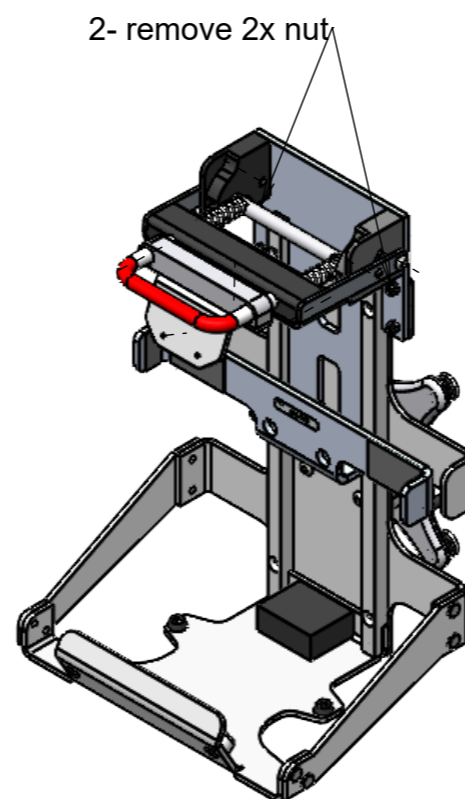
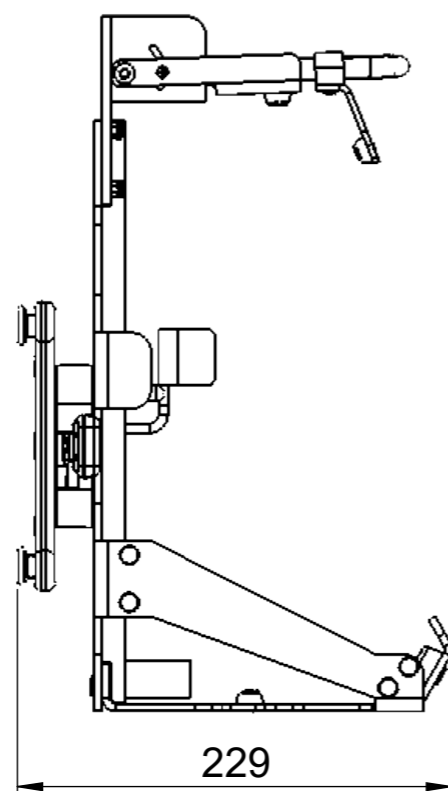
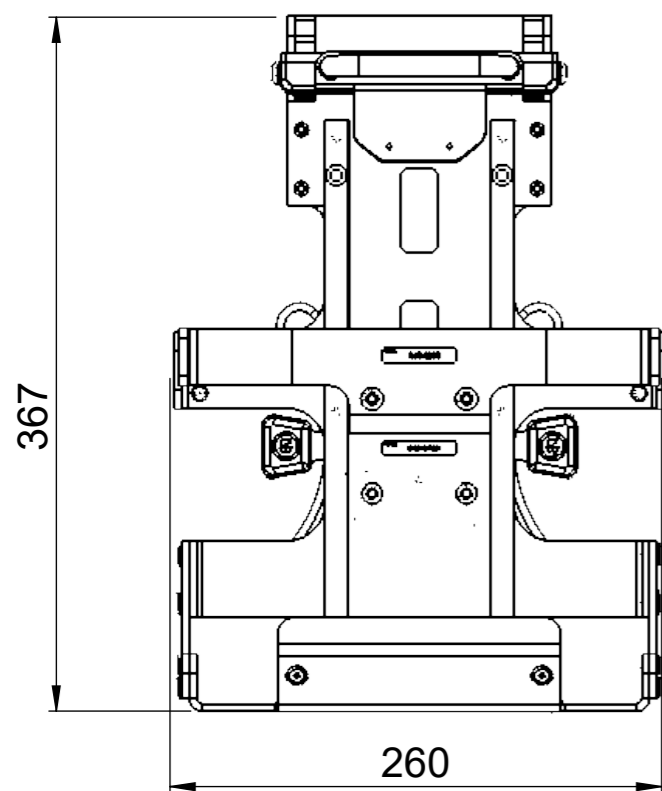


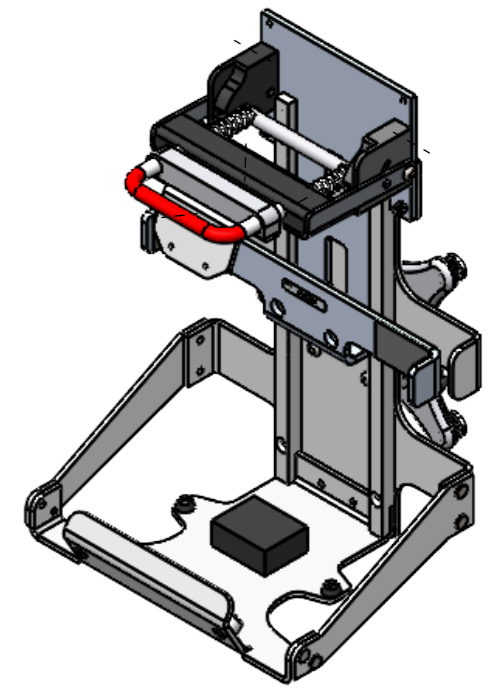
CUSTOMER DRAWING



OPEN POSITION (FOR LOADING DEFIBRILATOR) CLOSED POSITION

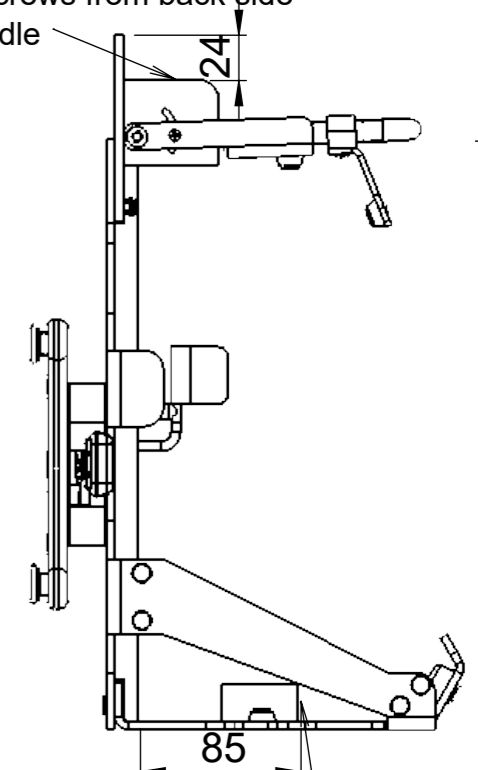
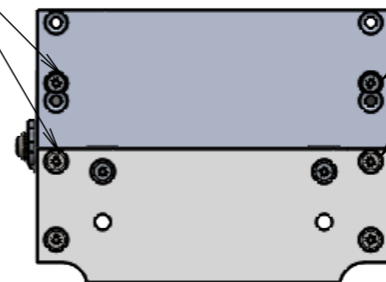


4 steps to configure mount for Mindray defibrillator



3- remove 4 screws from back side and place handle

4- use the same screws and fix handle



NOTES:

- APPROX. WEIGHT: 3.18 KG

GENERAL TOLERANCES COMPLY WITH
STN ISO 2768-mK

THIS DRAWING IS THE PROPERTY OF FERNO SLOVAKIA S.R.O. IT IS NOT TO BE COPIED OR DUPLICATED IN ANY MANNER, AND SHALL NOT BE SUBMITTED TO OUTSIDE PARTIES FOR EXAMINATION WITHOUT OUR KNOWLEDGE AND CONSENT. IT SHALL BE USED AS A MEANS OF REFERENCE TO WORK FURNISHED BY THIS COMPANY ONLY.

DRAWN BY A.TURIAK	DATE 19.04.2023	FERNO-SLOVAKIA, s.r.o. Bosaca 893, 913 07 Slovak Republic		
MATERIAL	FIRST ANGLE PROJECTION 	SCALE: 1:10	SHEET: 3 OF 3	
FINISH	DESCRIPTION DEFIB MOUNT-ZOLL AED PLUS"			
REFERENCE	SIZE A3	PART NO. 048-0241	REVISION 0A	