



Compact 2 Track Chair

FERNO/MAN/0721/207-R9/UK
Stock Code 2003-0135



*Read this Manual
and Retain for
Future Reference*

Ferno UK Customer Services

Customer Service and product support are important aspects of each Ferno product. Please have the product serial number available when calling, and include it in all written communications.

Telephone - Main Reception	+44 (0) 1274 851999
Telephone - Sales Department	+44 (0) 1274 854510
Telephone - Service Department	+44 (0) 1274 854511
Email - Sales	sales@ferno.co.uk
Email - Service	services@ferno.co.uk
Web	www.ferno.co.uk

Ferno (UK) Ltd, Ferno House, Stubs Beck Lane, Cleckheaton,
West Yorkshire, BD19 4TZ

ALL OTHER LOCATIONS

For assistance or information, please contact your Ferno distributor. If you do not have a Ferno distributor, please contact your nearest Ferno Customer Services office.

USA HEADQUARTERS

Ferno-Washington, Inc., 70 Weil Way
Wilmington, Ohio 45177-9371, U.S.A.

Telephone	Country Code +1.937.382.1451
Fax	Country Code +1.937.382.6569
Internet	www.ferno.com

Disclaimer

This manual contains general instructions for the use, operation and care of this product. The instructions are not all-inclusive. Safe and proper use of this product is solely at the discretion of the user. Safety information is included as a service to the user. All other safety measures taken by the user should be within and under consideration of applicable regulations. It is recommended that training on the proper use of this product be provided before using this product in an actual situation.

Retain this manual for future reference. Include it with the product in the event of transfer to new users. Additional free copies are available upon request from Ferno Customer Service.

Proprietary Notice

The information disclosed in this manual is the property of Ferno (UK) Ltd. who reserve all patent rights, proprietary design rights, manufacturing rights, reproduction use rights, and sales use rights thereto, and to any article disclosed therein except to the extent those rights are expressly granted to others or where not applicable to supplier proprietary parts.

Limited Warranty Statement

The products sold by Ferno (UK) Ltd. are covered by a limited warranty. The complete terms and conditions of the limited warranty, and the limitations of liability and disclaimers, are also available upon request by calling Ferno (UK) Ltd. on +44 (0) 1274 851999.

© Copyright Ferno UK Ltd. All Rights Reserved.



Chair/Track Serial Numbers: _____

Location: CHAIR :- H-FRAME CROSS BRACE

TRACK :- BELOW LOWER RELEASE TAB



FERNO S.r.l.
via B. Zallone, n. 26, 40066
Pieve di Cento, Bologna, Italy
+39.051.6860028



Ferno (UK) Ltd.
Ferno House, Stubs Beck Lane
Cleckheaton, West Yorkshire, BD19 4TZ
+44 (0) 1274 851999





USER MANUAL

To request additional free user manuals, contact Ferno Customer Service, your Ferno distributor, or visit www.ferno.co.uk.


TABLE OF CONTENTS

Section	Page	Section	Page
		Illustrations	
Ferno Contact Information _____	2	Figure 1 - Wheeling Chair with handle raised _____	5
1 - Safety Information _____	4	Figure 2 - Chair with Track attached _____	5
1.0 Warning _____	4	Figure 3 - Chair with Track detached _____	7
1.1 Important _____	4	Figure 4- Unfolding the Chair for use _____	8
1.2 Caution _____	4	Figure 5 - Pushing up back rest _____	8
1.3 Safety and Instruction Labels _____	5	Figure 6 - Securing the chair by deploying safety rings _____	8
1.4 Symbol Glossary _____	5	Figure 7 - Chair deployed and ready for use without Track ____	8
2 - Operator Skills and Training _____	6	Figure 8 - Removing safety rings so Chair can fold _____	9
2.0 Skills _____	6	Figure 9 - Releasing the locking bar to allow Chair to fold _	9
2.1 Training _____	6	Figure 10 - Folding the Chair ready for stowage _____	9
3 - About the Chair _____	7	Figure 11 - Chair folded and fastened secure for stowage ____	9
3.0 General Specifications _____	7	Figure 12 - Locating lower Track lock onto axle _____	10
4 - Operating the Chair _____	8	Figure 13 - Track attached at axle only _____	10
4.0 Unfolding the Chair _____	8	Figure 14 - Rotating Track upwards to attach to Chair ____	10
4.1 Folding the Chair _____	9	Figure 15 - Track attached to Chair back _____	10
4.2 Attaching Track When Chair is Occupied ____	10	Figure 16 - Preparing to attach Track to unoccupied Chair _	11
4.3 Attaching Track When Chair is NOT Occupied	11	Figure 17 - Attaching Track to back of Chair _____	11
4.4 Deploying the Track for Use _____	11	Figure 18 - Pulling Track out for use _____	11
4.5 Stowing the Track _____	12	Figure 19 - Chair with Track deployed ready for use _____	11
4.6 Removing Track When Chair is Occupied _____	12	Figure 20 - Using handle to deploy Track _____	12
4.7 Removing the Track When Chair is NOT Occupied _____	13	Figure 21 - Track stowed _____	12
4.8 Adjusting Upper Handle Height _____	13	Figure 22 - Squeezing pins together release Track _____	12
4.9 Using Patient Restraints _____	14	Figure 23 - Releasing Track from Chair _____	12
5 - Using the Chair _____	15	Figure 24 - Removing track from unoccupied Chair ____	13
5.0 Before Placing the Chair in Service _____	15	Figure 25 - Chair height adjustment index pin _____	13
5.1 General Guidelines for Use _____	15	Figure 26 - Adjustable handle height _____	13
5.2 Moving the Chair _____	16	Figure 27 - Chest restraints in use _____	14
5.3 Using the Chair on Level Ground _____	16	Figure 28 - Foot restraints in use _____	14
5.4 Gliding the Chair Down Stairs _____	17	Figure 29 - Buckle release _____	14
5.5 Manoeuvring the Chair Up Stairs _____	18	Figure 30 - Preparing to descend steps _____	17
6 - Maintenance _____	19	Figure 31 - Rolling Track onto steps _____	17
6.0 Maintenance Schedule _____	19	Figure 32 - Bottom of steps _____	17
6.1 Disinfecting & Cleaning the Chair _____	19		
6.2 Inspecting the Chair _____	20		
6.3 Lubricating the Chair _____	20		
7 - Parts and Service _____	21		
7.0 UK _____	21		
7.1 Worldwide _____	21		
8 - Servicing Schedule _____	23		

1 - SAFETY INFORMATION

1.0 Warning

Warning notices indicate a potentially hazardous situation which, if not avoided, could result in injury or death.

 WARNING
Improper use of the chair can cause injury. Use the chair only for the purpose described in this manual.
Untrained operators can cause injury or be injured. Permit only trained personnel to operate the chair.
Improper operation can cause injury. Operate the chair only as described in this manual.
An unattended patient can be injured. Stay with the patient at all times.
An unrestrained patient can fall off the chair and be injured. Use restraints to secure the patient on the chair.
Helpers can cause injury or be injured. Maintain control of the chair, whilst directing all helpers.
Improper maintenance can cause injury. Maintain the chair only as described in this manual.
Non Ferno parts and service can cause injury. Use only Ferno parts and Ferno approved service on the chair.
Modifying the chair can cause injury and damage. Use the chair only as designed by Ferno.
Attaching Non Ferno items to the chair can cause injury. Use only Ferno approved items on the chair.

 WARNING
It is recommended NOT to carry occupant with the rear handle FULLY EXTENDED

1.1 Important

Blood borne Disease Notice

To reduce the risk of exposure to blood borne diseases such as HIV-1 and hepatitis when using the chair, follow the disinfecting and cleaning instructions in this manual.

1.2 Caution

Bleach, phenols and iodine can cause damage. Do not apply products containing these chemicals to the Chair.

Improper lubricants can cause damage. Use a liquid lubricant oil such as "3-IN-ONE Multi-purpose drip oil" to lubricate the Chair where specified.

Trapping hazards are unavoidable in the design of this equipment due to its folding action. Operate the folding mechanism with care.

 WARNING
Do NOT exceed the safe working load of 200 kg

1.3 Safety and Instruction Labels

Safety and instruction labels place important information from the users' manual on the Chair.

Read and follow label instructions. Replace worn or damaged labels immediately. Replacement labels are available from Ferno UK.

1.4 Symbol Glossary

The symbols defined to the right are used on the Chair and/or in this users' manual. Ferno uses symbols recognised by the International Standards Organisation (ISO).



Do Not Lubricate



Safe Working Load



Product meets UK and EU Standards



Figure 1 - Wheeling Chair with handle raised



Figure 2 - Chair with Track attached

2 - OPERATOR SKILLS AND TRAINING

2.0 Skills

Operators using the chair need:

- The strength, balance, coordination and common sense to safely operate the Chair.
- The ability to select the proper equipment and procedures for the circumstances.
- Operators should have been trained in the operation of the Chair.
- The ability to understand and follow the procedures described in this manual.
- Operators should have a working knowledge of manual handling procedures.

2.1 Training

Operator trainees need to:

- Have followed a training plan.
- Read and understand the instructions in this manual.
- Practice using the fully-equipped Chair with weight and under simulated conditions.
- Trainees should be tested to verify their understanding of Chair operation.
- Keep training records. Annual refresher training for all Chair operators is recommended.



WARNING

**Untrained operators can cause injury or be injured.
Permit only trained personnel to operate the Chair.**

3 - ABOUT THE CHAIR



Figure 3 - Chair with Track detached

CHAIR FEATURES

- Chair folds to minimise stowage space.
- Track can be attached for descending stairs.
- Adjustable handle to enable correct posture for operator.
- Enhanced occupant' Centre of Gravity allowing greater control.
- Anti-Bacterial properties within Restraints, Grip Tape, Seat Cover, Powder coat and Head pad materials.
- CEN compliant In-vehicle storage bracket available.

3.0 General Specifications

Most general specifications below are rounded to the nearest whole number. For more information, contact Ferno Customer Service Department (page 2).

Ferno reserves the right to change specifications without notice.

The Compact 2 Track is a carry chair with the capability of attaching a track module to assist in the descent of stairs where it is deemed appropriate by the operators to use as a tracked chair.

Chair height folded (without track attached)	810 mm
Chair height	1062 mm
Height with rear handle extended	1445 mm
Seat height	485 mm
Chair width	450 mm
Chair depth folded (without track)	260 mm
Track assembly length	730 mm
Track assembly width	340 mm
Track assembly depth	120 mm
Weight of carry chair	11.4 kg
Weight of track	3.6 kg
Total weight	15 kg
SWL / Max load capacity	200 kg
Strap type	Biosafe
Strap length – Chest	1650 mm
Strap length – Leg	1200 mm



WARNING

Improper use of the Chair can cause injury. Use the Chair only for the purpose described in this manual.

4 - OPERATING THE CHAIR

4.0 Unfolding the Chair

The chair folds for shipping and stowage when the Track is not attached.

1. Undo the restraint strap (if used), unfold by placing the Chair on the ground and pulling the rear handle from the lower handle.

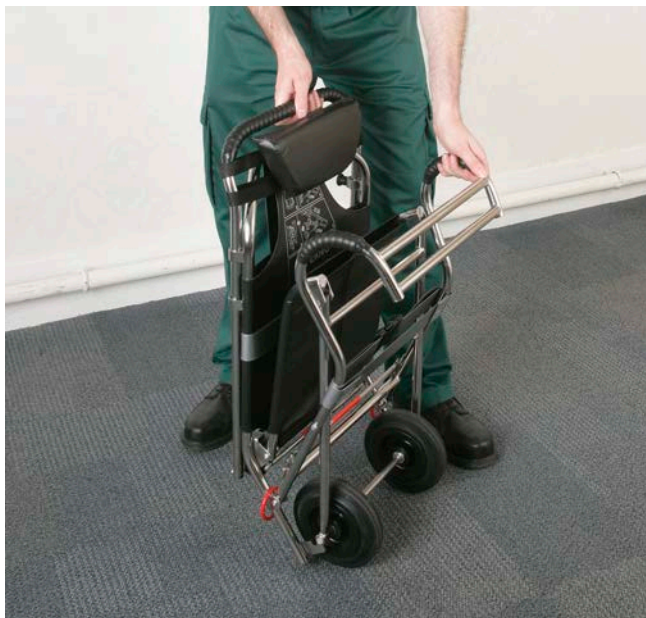


Figure 4 - Unfolding the Chair for use

2. Completely unfold by firmly pushing up the back until an audible click is heard.



Figure 5 - Lifting up back rest whilst applying force to the foot rest

3. Once the chair is locked secure, move both of the safety rings down over the hinge bracket.



Figure 6 - Securing the chair by deploying safety rings



Figure 7 - Chair deployed and ready for use without Track

4.1 Folding the Chair

Before folding, fully lower the upper handle if it is raised (see 'Adjusting Upper Handle Height') and remove the track if it is attached (see 'Removing the Track').

1. Push the Safety Rings up over each hinge bracket



Figure 8 - Removing safety rings so Chair can fold

2. From behind the Chair, release the locking bar (in the centre of the chair frame) by lifting the bar towards you, either by hand or foot and carefully fold the Chair forwards.

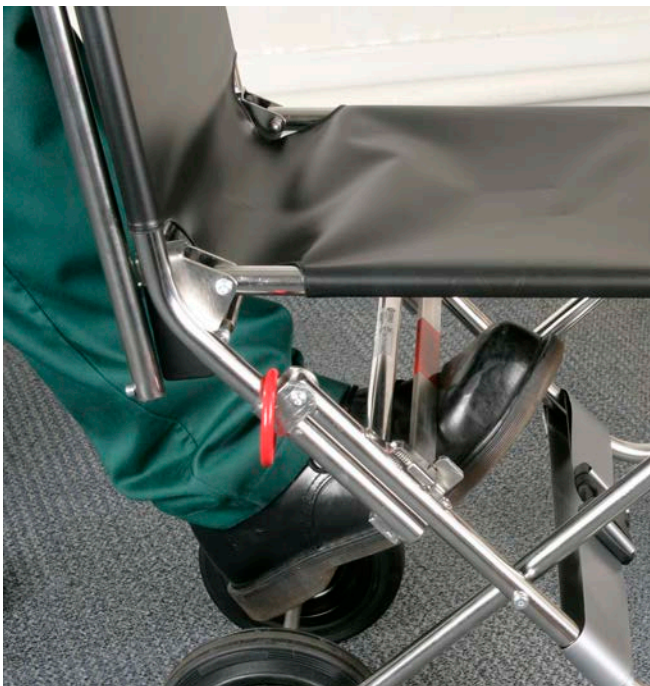


Figure 9 - Release the locking bar to allow Chair to fold

3. Push in a downward direction on the upper handle to fold the lower handle upwards in reaction to the downward force.

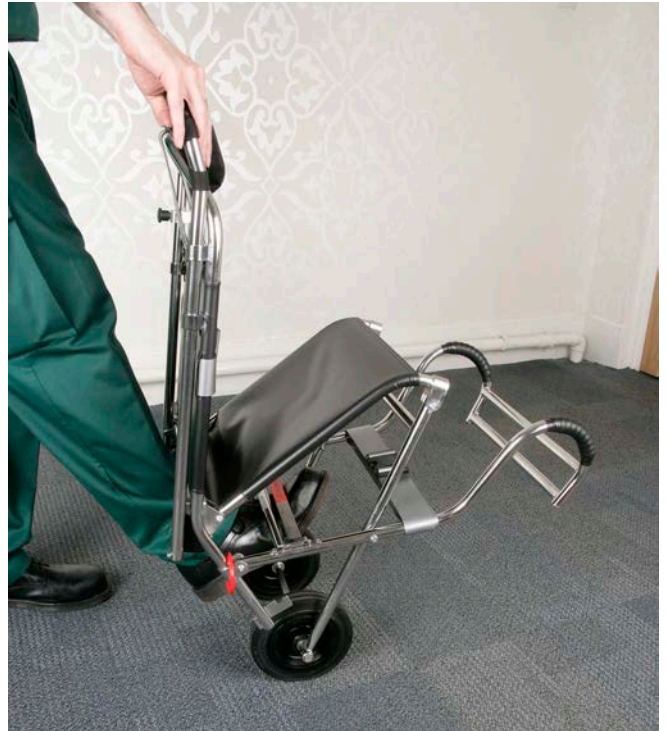


Figure 10 - Folding the Chair ready for stowage

4. The patient restraints should be used to secure the Chair in the folded position.



Figure 11 - Chair folded and fastened secure for stowage

4.2 Attaching the Track - Method 1

The chair features an attachable track to aid operators when descending stairs. The track can be attached in 2 different ways. The first method is recommended for attaching track to the chair when a patient is already sitting in the chair.

Before attempting to attach the track to the chair, ensure that the latches on the back of the chair are open to allow the track to be locked onto the chair. If they are not, then pull the RED Track release bar down to open latches, as shown in fig 22, and then commence the procedure for attaching the track as described below.

1. Bring the track towards the chair and locate the lower Track lock on to the axle, ensuring it is locked in place by moving the top of the track towards you (fig 12 & 13)

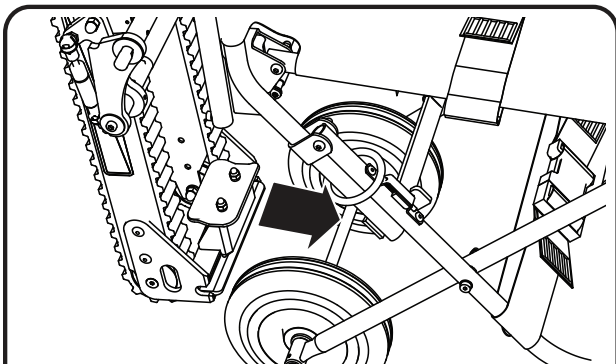


Figure 12 - Locating lower Track lock onto axle



Figure 13 - Track attached on axle

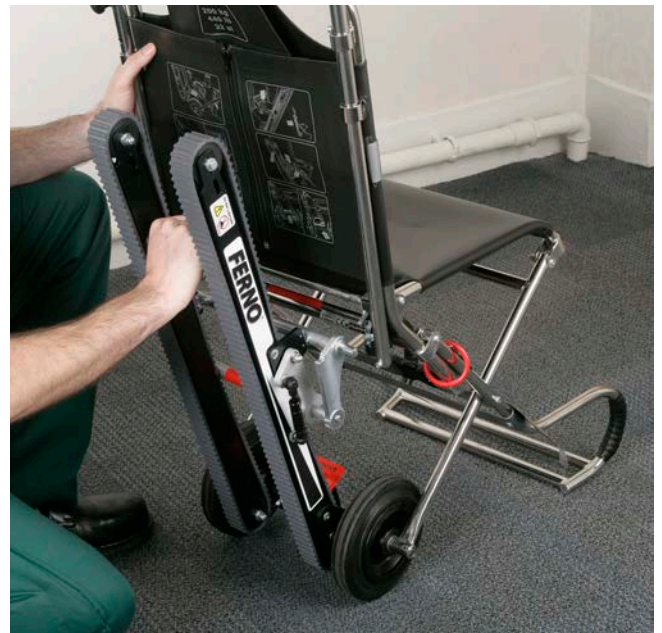


Figure 14 - Rotating Track upwards to attach to Chair

2. Bring the Track upwards towards the chair and push into the chair until an audible click is heard, indicating the striker pins have locked into the push-to-close latches (fig 14).
3. Always carry out a visual inspection to ensure both the location pins have located and attached the Track securely to the rear of the Chair (fig 15)



Figure 15 - Track attached to Chair back via push-to-close latches

4.3 Attaching the Track - Method 2

When the Chair is not occupied, an alternative method for attaching the Track is recommended, which requires less bending and therefore better from a manual handling perspective. Again check first that the latches on the back of the chair are open before attempting to attach the track.

1. Lay the Track on the floor and lift the Chair into place, locating the axle bar in to the lower Track lock.



Figure 16 - Preparing to attach Track to unoccupied Chair

2. Push the Chair axle securely into the lower lock until it is locked in place.

3. Rotate the Track upwards and lock in place as described previously in steps 2-3 on page 10.

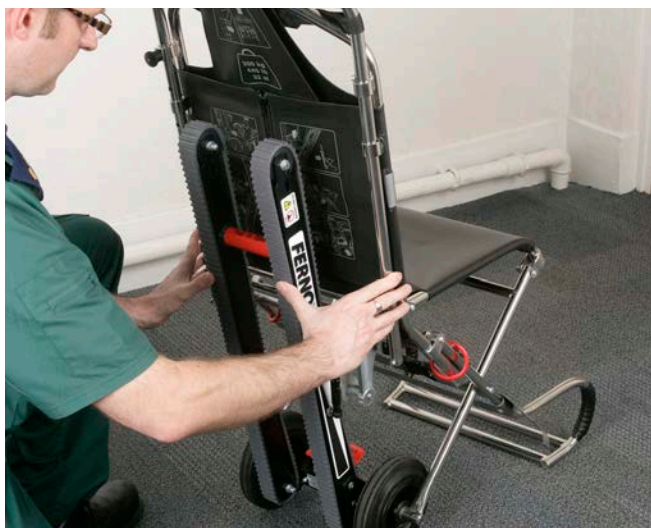


Figure 17 - Track attached to Chair back via push-to-close latches

4.4 Deploying the Track for Use

Once the Track are attached to the chair, they may be unfolded for use.

Whilst holding the Chair secure from the rear, pull the red 'Pull to Open' bar forwards and down, until the Track locks into position.



Figure 18 - Pulling Track out for use



Figure 19 - Chair with Track deployed ready for use

4.5 Stowing the Track

When not in use always ensure the Track is folded away securely to limit the chance of damage or injury.

1. To fold the track into the back of the chair, push the bar with RED 'Push to Close' label downwards as shown, until the track is flush with the back of the chair and locks into position. When in the stowed position the track should remain in the upright position and should not drop back down. If the track bracket mechanism is found to be loose and the track not staying upright then the chair should be taken out of service and the holding gas strut replaced.



Figure 20 - Using 'Push to Close' bar to stow Track



Figure 21 - Track stowed

4.6 Removing the Track - Method 1

Prior to folding the chair for storage the Track must be removed from the chair. It is also suggested to remove the track when needing to lift the chair over obstacles etc., to minimise the weight being carried. Also if moving over very rough ground it may be beneficial to remove the track first.

When the Chair is occupied with a patient, it is recommended to remove the track using the following procedure:

1. Pull the RED Track release bar down towards the floor to release the locating pins from the two push-to-close latches and detach Track from the top of the Chair.



Figure 22 - Releasing Track from push-to-close latches

2. With the Track at an angle to the Chair pull the spring loaded handle away from the axle to unlock, then pull the Track away from the Chair.



Figure 23 - Releasing the Track from the Chair

4.7 Removing the Track - Method 2

When the Chair is not occupied with a patient, the track should be removed using the following procedure:

1. As before, pull the RED Track release bar down to release the Track locating pins from the push-to-close latches (fig 22)



Figure 24 - Removing the Track from an unoccupied Chair

2. Then with the Track laid on the ground, pull back the RED release handle on the Track with your heel, and then lift the Chair out of the Lock.

4.8 Adjusting Upper Handle Height

The upper handle can be adjusted to different positions for when used as a Track Chair and when used as a Carry Chair.

1. To adjust the handle, pull the index pin out and pull the handle until the first position is reached then release the index pin.



Figure 25 - Chair height adjustment index pin

2. When using as a Track Chair it is recommended to raise the rear handle to the highest position for best posture on the stairs, to position 4 as per below picture.



Figure 26 - Adjustable handle heights

3. When using as a carry chair the upper handle can be adjusted to position 1, 2 & 3 to optimise posture of operators. However, it is recommended to have the handle as low as possible to ensure maximum stability when carrying. It is NOT recommended to use position 4 when using as a Carry Chair.

⚠ WARNING

Only fully raise the handle when using the Chair to descend stairs with the Track deployed.

4.9 Using Patient Restraints

Use the lap and foot restraints to secure Patient into the Chair. Assess Patient condition to determine optimum strapping procedure.

- Chest Restraint: The chest restraint can also be used to secure the chair closed for stowage. Fasten the chest restraint using plastic male/female buckling system. Pull the loose free end of the webbing strap to tighten the restraint.



Figure 27 - Chest restraints in use

- Foot Restraint: Once the patient's feet are comfortably placed on the integral footrest, the loose foot restraint can be fastened to secure the feet. Fasten foot strap using plastic male/female buckling system. Pull the loose free end of the webbing strap to tighten the restraint. Remember that the foot restraint also protects the operator when moving the Chair on stairs.



Figure 28 - Foot restraints in use

- Releasing Restraints: To release foot and chest restraints, squeeze the two sides of the tang on the buckle inwards at the same time to pull the buckle apart.



Figure 29 - Buckle release

5 - USING THE CHAIR

5.0 Before Placing the Chair in Service

- Operators who will work with the Chair need to read and understand this manual and be trained on using the Chair.
- Set up the chair, following the instructions in 'Operating the Chair', page 8.
- Confirm that the Chair operates properly. See 'Inspecting the Chair', page 18.

5.1 General Guidelines for Use

- Two trained operators when the Chair is being used to transport a patient on stairs.
- Always inform the patient before a manoeuvre.
- One operator only, can safely use the Chair on flat surfaces including single steps, thresholds etc., but this must be at the discretion of the operator who must assess all likely conditions.
- One operator can safely load/unload a patient using the Chair from a vehicle fitted with a ramp, automatic tail-lift or other approved mechanical lifting mechanism, with second operator on stand-by.
- Circumstance such as access, weather conditions or patient weight may require additional help when operating on stairs; this must be assessed at the time, however the following is a suggested configuration.
- Keep the load limit of the Chair in mind when working with a heavy patient. If it suspected that the load limit has been exceeded then a full inspection of the Chair should be conducted, preferably by Ferno Service Technician.
- Operators must take extra precautions when operating the Chair on uneven or soft ground.
- Extra precautions, and risk assessment should be taken to prevent the Chair from slipping in adverse, wet or icy weather conditions.
- Stay with the patient at all times and always use the patient restraints provided.
- Always follow good lifting procedures as specified in current manual handling regulations and your appropriate training manual.
- Follow standard emergency patient-handling procedures when operating the Chair.
- Medical advice is beyond the parameters of the manual. It is the user's responsibility to ensure safe practices for both themselves and the patient



WARNING

An unattended patient can be injured. Stay with the patient at all times



WARNING

An unrestrained patient can fall off the Chair and be injured. Use restraints to secure the patient on the Chair



WARNING

**Improper use can cause injury.
Use the Chair only for the purpose described in this manual**

5.2 Moving the Chair

- Place the patient on the Chair using local protocols for patient handling.
- The Chair should be operated by 2 operators at all time, both when used as a carry chair as well as when using as a track chair.
- Ensure that the patient is centrally seated with their back fully against the back rest before applying the restraints.
- Chest and foot restraints must be applied before moving the Chair (See 'Applying Patient Restraints').

WARNING

Before positioning the patient on the Chair, always ensure the Chair is fully unfolded and that the safety rings are correctly positioned over each hinge bracket.

WARNING

Avoid rapid chair repositioning as this may result in patient injury. Support the Chair while adjusting handles.

5.3 Using the Chair on Level Ground

- Before rolling the Chair on level ground, the head end operator adjusts the upper handle to the desired position for comfortable use.
- Local manual handling protocols should be followed relative to moving of occupant.
- Wherever possible ensure that the strongest/tallest person is at head-end when using the Chair as a carry chair to move the patient along the level ground.
- Inform the patient at all times so that they are aware about what is happening.
- The Chair will be tilted backwards to be rolled on its rear pair of wheels prior to movement. Ensure the patient is made aware of this.
- The Chair should be tipped back until it reaches tipping point, and no more, and then maintain this balanced position before starting to set off.
- The foot-end operator should always aid the head-end operator when tipping the chair back and when moving off, by holding onto the foot-end handles and lifting in conjunction and synchronisation with the head-end operator tilting the chair back, and then help to start to move the chair as it is wheeled away.

WARNING

When moving patients always inform them of what you are going to do.

WARNING

Never leave a patient unattended in the Chair and always use restraints.

5.4 Taking the Chair Down Stairs with the Track attached.

- It is strongly recommended that the following procedures be practiced and trained with a chair loaded with a dummy or weights before any occupant is carried.
- Using the Chair on stairs requires a minimum of two operators. Use additional help, as needed.
- The two operators face each other when transporting a patient down stairs. If available a third person should assist by acting as a guide for the foot-end operator.
- Ensure the route down the stairs is clear of obstructions that could affect the safety of the operators or the function of the track.

1. Ensure Track is attached to Chair, refer to 4.2 & 4.3
2. Head-end operator – fully extend the upper handle and ensure it is locked in place (See 'Adjusting Upper Handle Height').
3. Head-end operator – deploy the track and ensure it is locked in place (See 'Unfolding the Track ready for Use').
4. Foot-end operator – take up position on the stairs facing the chair, holding the lower foot-end handle (See Fig. 30).
5. Both operators – working together, guide the Chair over the edge of the top step, allowing the track belts to engage on the first step.
6. Both operators – move the Chair slowly downwards until the track is resting on the top two or three steps. This establishes the glide angle. Ensure both operators are comfortable before proceeding further.

To maintain the glide angle –

- Head-end operator – with a palm-down handgrip apply downward pressure on the extended upper handle to hold track into the stairs and to move downwards, adjusting pressure and direction according to desired speed and track angle.
- Foot-end operator – holds the Chair into the stairs, adjusting/raising/lowering accordingly to maintain glide angle.

When the Chair reaches the bottom of the stairs and wheels are on the floor, the Chair can be tipped forward to stop it from moving while the Track and Upper Handles are stowed (See Figure 32). The head-end operator can then tilt the chair backwards to manoeuvre the Chair onwards, aided by the foot-end operator to tip the chair, if required.

- To pause during the descent at any time, tilt the Chair forward just enough to allow the wheels to rest on the step while both operators hold the Chair in place.

- To continue down the stairs, tilt back the Chair and regain the glide angle (see step 5 above).

- To adjust the speed of descent at any time, adjust the amount of pressure placed by foot-end and head-end operators to hold the Track in to the stairs.



Figure 30 - Preparing to descend steps

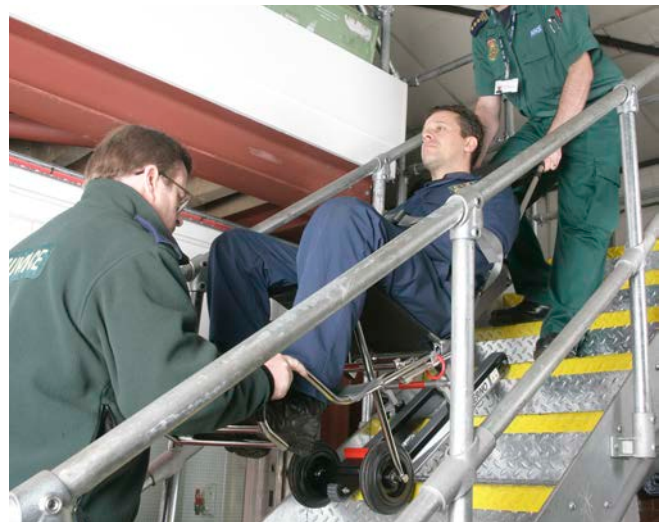


Figure 31 - Rolling Track onto steps

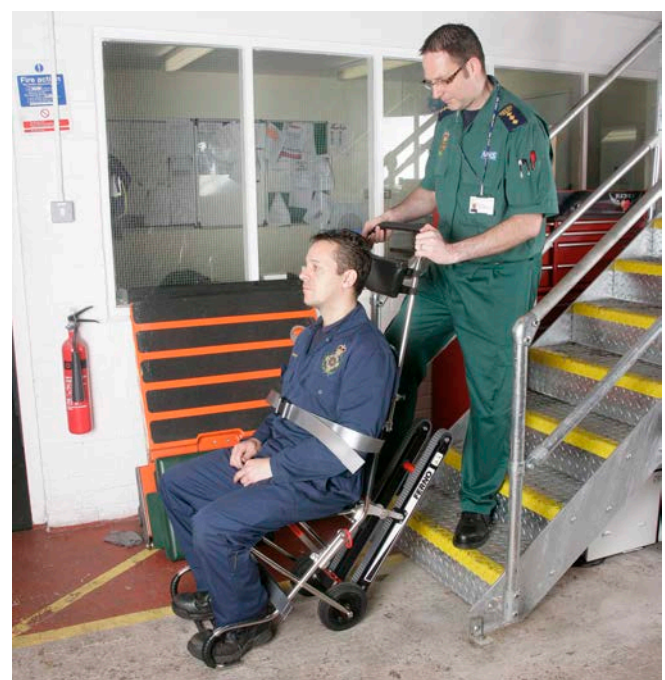


Figure 32 - Bottom of steps

Carrying the Chair downstairs without using the track

The Chair can be used as a Carry Chair to move occupant down the stairs when the circumstances do not allow the use of the track system and a suitable dynamic risk assessment has been undertaken.

This manoeuvre should be carried out with the Track detached from the Chair, and all manual handling procedures and risk assessment should be considered before carrying out such a manoeuvre.

1. With the patient seated on the Chair and restrained, adjust the upper handle into a position that is comfortable for your height according to the stairs being used, but as low as possible to maximise stability and minimise any risk of the chair tipping sideways when lifting and moving the occupant (See 'Adjusting Upper Handle Height').
2. Always inform the patient about what is happening.
3. Once the head-end and foot-end operators are in their correct positions holding the upper and lower handles, the head end operator leans the Chair backwards until the occupants weight is on the wheels.
4. The Chair can then be rolled towards the top of the stairs and lifted by both operators to begin descending the stairs
5. Upon reaching the bottom of the stairs, carefully lower the wheels onto the floor and continue to move the patient to the required destination by wheeling the Chair.

5.5 Manoeuvring the Chair Up Stairs

1. The Chair can be used as a Carry Chair to move occupant up stairs. This manoeuvre should be carried out with the Track detached from the Chair, and all manual handling procedures and risk assessment should be considered before carrying out such a manoeuvre.
2. With the patient seated on the Chair and restrained, adjust the upper handle into a position that is comfortable for your height according to the stairs being used, but as low as possible to maximise stability and minimise any risk of the chair tipping sideways when lifting and moving the occupant (See 'Adjusting Upper Handle Height').
3. Always inform the patient about what is happening.
4. Once the head-end and foot-end operators are in their correct positions holding the upper and lower handles, the head end operator leans the Chair backwards until the occupants weight is on the wheels.
5. The Chair can then be rolled towards the foot of the stairs and lifted by both operators to begin ascending the stairs
6. Upon reaching the top of the stairs, carefully lower the wheels onto the floor and continue to move the patient to the required destination by wheeling the Chair.

6 - MAINTENANCE

6.0 Maintenance Schedule

The Chair requires regular inspection. Set up and follow a maintenance schedule. The table to the right represents minimum intervals for maintenance. Ferno recommend to lubricate every 3 months and/or after a deep clean.

Keep maintenance records.

When using maintenance products, follow the manufacturers' directions and read the manufacturers' material safety data sheets.

Alternatively the Chair can be inspected in line with the Ambulance maintenance schedule.

Further details on maintenance are available from Ferno (UK) Ltd. Service Division or through approved service technicians.

6.1 Disinfecting and Cleaning the Chair

Wipe all surfaces with disinfectant. Follow the disinfectant manufacturer's instructions for application method and contact time. Ferno recommend you inspect the Chair for damage as you clean and disinfect it.

1. Remove the chest restraint, Track and any accessories.
2. Hand clean all surfaces of the Chair with warm water and a mild detergent.
3. Rinse with warm, clear water. Dry the Chair with a towel and allow it to air-dry thoroughly prior to storage.
4. To disinfect: Apply disinfectant to the Chair, following the disinfectant manufacturer's instructions for application method and contact time.



WARNING

Improper maintenance can cause injury. Maintain the Chair only as described in this manual.

Recommended Maintenance Intervals	Each Use	As Needed	3 Months
Disinfecting	•		
Cleaning		•	
Inspecting	•	•	•
Lubricating			•

IMPORTANT

Disinfectants and cleaners containing bleach, phenolics, or iodides can cause damage. Do not use products containing these chemicals.



WARNING

Modifying the Chair can cause injury and damage. Use the Chair only as designed by Ferno.

6.2 Inspecting the Chair

Have your service's equipment maintenance technicians inspect the Chair regularly. Follow the checklist below and operate the Chair through all its functions as described in this manual.

If inspection shows damage or excessive wear, remove the Chair from service until repair is made. See *Parts and Service*, page 21.

IMPORTANT

Water under high pressure, or steam, can penetrate joints, flush away lubricant, and cause corrosion. Use caution when cleaning moving parts such as joints and hinges, and reapply lubricant if needed (see right).

IMPORTANT

Using abrasive cleaning compounds or applicators on the Chair can cause damage. Do not use abrasive materials to clean the Chair.

INSPECTION CHECKLIST

- Are all components present?
- Is the Chair and Track free of excessive wear?
- Are all screws, nuts, bolts, rivets, and roll pins securely in place?
- Do all moving parts operate smoothly and properly?
- Does the Chair rear handle lock properly into each position?
- Does the safety hook engage the safety bar?
- Does the Chair roll smoothly?
- Do the wheels have adequate tread?
- Are the restraints properly installed?
- Is restraint webbing in good condition with no cuts or frayed edges?
- Are restraint buckles free of visible damage and do they operate properly?
- Does the Track module deploy properly and lock into place?
- Does the Track module stow properly and lock into place? Make sure the track module is not loose and does not easily drop back down

IMPORTANT

Lubricating parts that should not be lubricated allows dirt and foreign particles to collect on those parts, resulting in damage.

6.3 Lubricating the Chair

Disinfect and clean the Chair before applying lubricant. Use the lubricants designated below to lubricate the Chair. Do not lubricate points marked with the "do not lubricate" symbol.



Do Not Lubricate

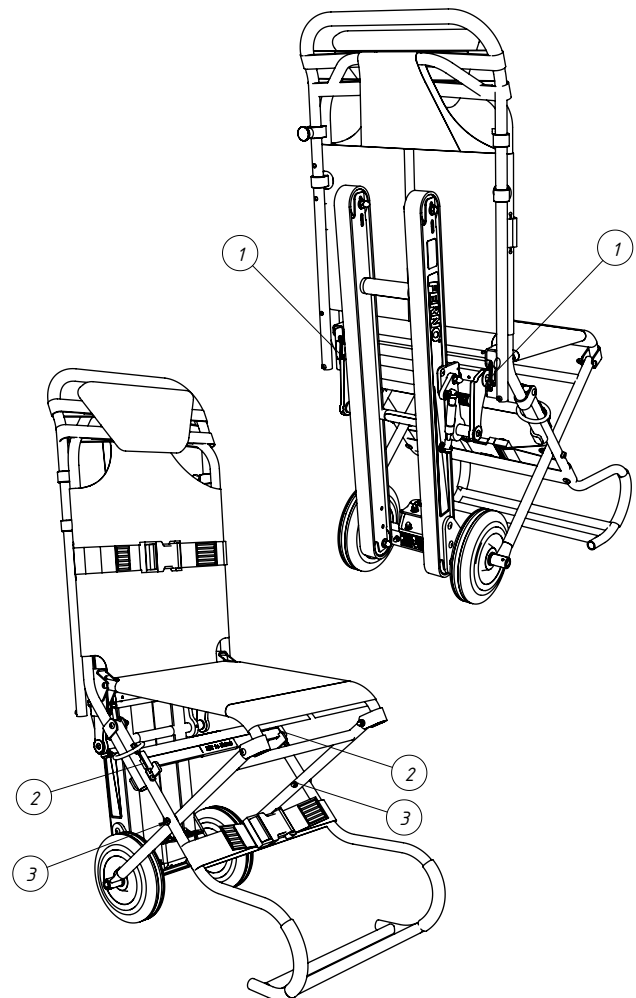


Lubricate

LUBRICATION POINTS

Use a small amount of lubricant, lubricating identical points on each side of the Chair, using a liquid lubricant oil such as "3-IN-ONE Multi-purpose drip oil"

1. Push-to-close Latches
2. Locking Bar
3. Hinge Points



WARNING

Do NOT lubricate the track belts. Doing so will result in a loss of friction, causing danger to the operator and occupant when descending stairs.

7 - PARTS AND SERVICE

7.0 UK Support

In the United Kingdom, to order parts or for professional Chair repair, contact Ferno (UK) Ltd. - the only agent authorised by Ferno to manage, service, and repair Ferno products.

Telephone Main Reception	+44 (0)1274 851999
Service Department	+44 (0)1274 854511
Service Email	services@ferno.co.uk
Web	www.ferno.co.uk

⚠ WARNING

Improper parts and service can cause injury. Use only Ferno parts and Ferno-approved service on the Chair.

7.1 Worldwide

To order Ferno parts, and for professional Chair repair, contact your Ferno distributor. Your distributor is the only agent authorised by Ferno to manage, service, and repair Ferno products.

ITEM #	UK PART #	DESCRIPTION
21	212275000	DUAL ADJUST BUCKLE 50 mm (REPLACEMENT)
20	0672-9100	ACTION LABELS (REPLACEMENT)
19	0672-9101	SAFETY LABELS (REPLACEMENT)
18	241-0051	BELT, STAIR CHAIR TRACK
17	2001-0013	GAS SPRING 300 N EZ GLIDE TRACK
16	0672-3013	EXTENDABLE HANDLE C/W GRIP TAPE
15	0672-1210	TRACK BAG
14	0672-0500	LATCH COVER
13	2007-0108	PLUNGER SPACER
12	0672-0150	STRIKER LOCKING BOLT
11	2007-0104	RH PUSH TO CLOSE LATCH
10	2007-0103	LH PUSH TO CLOSE LATCH
9	274800000	MAIN WHEEL
8	0672-3012	HEADPAD
7	2004-0096	GRIP TAPE 2M LONG
6	244569700	GRIP TAPE 1M LONG
5	0672-3007	COMPACT 2 TRACK CHEST RESTRAINT
4	0672-3008	COMPACT 2 TRACK LEG RESTRAINT
3	2007-0120	RED INDEX PLUNGER
2	0672-0135	COMPACT 2 TRACK SEAT COVER
1	0672-3003	COMPACT 2 REMOVABLE TRACK (REPLACEMENT)

